



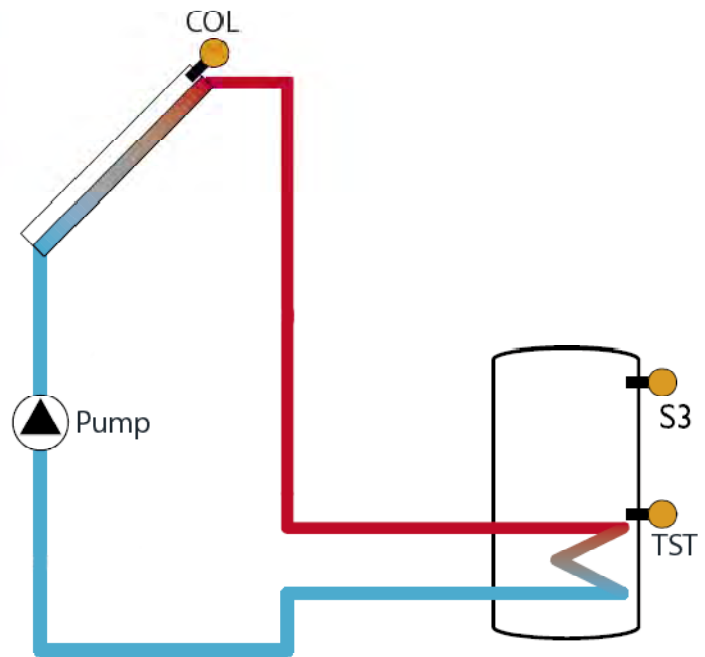
USER GUIDE

ATON DeltaSol BS Controller

Principles of Operation

The ATON DeltaSol BS controls the systems operation. Once there is a temperature difference (DT) detected between the collector and the cylinder, the pump is turned on by the controller. This temperature difference is normally set as DT on 6°C and DT off 2°C. Once this DT is achieved there is a 4 minute delay before the pump turns on, and a similar delay for turning off.

When the pump is on the pump icon on the screen will be flashing. The pump will stay on until the hot water cylinder is up to maximum temperature (usually 80°C) or the DT falls below the preset DT off.



System diagram showing location of sensors and pump.

To see if your system is running properly check the display screen:

- COL is the collector temperature (S1).
- TST is the Store temperature (S2).
- S3 is the temperature at the top of the store (twin coil cylinders only).
- hp is the total hours the system has been running since installed.

Scroll through each display using the left and right buttons on the front of the controller. If the temperature difference between the COL and TST is 6°C or more, the pump should start running and the pump icon will flash. If the temperature difference is less than 2°C the pump should stop and the pump icon should not be flashing. This is a simple way to check if the system is working.

www.imaginationsolar.com

Unit 4 Montpelier Central, Station Road
Bristol BS6 5EE

t: 0117 942 6668 f: 0117 942 8998

e: enquiries@imaginationsolar.com

Reg. in England 4226842